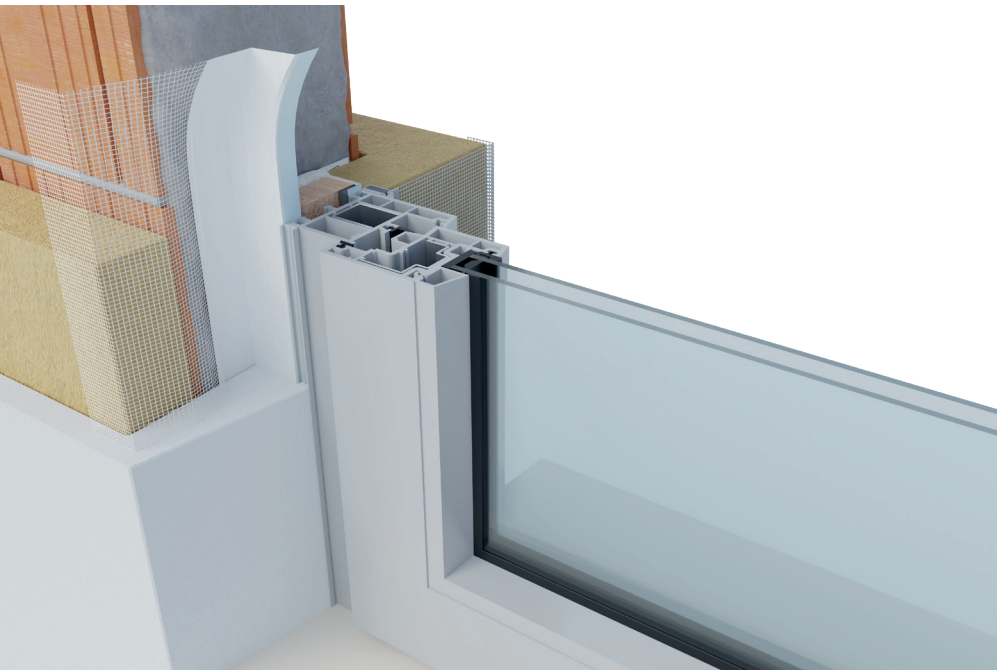


FDB Vario NET



QUICK OVERVIEW: STRENGTHS

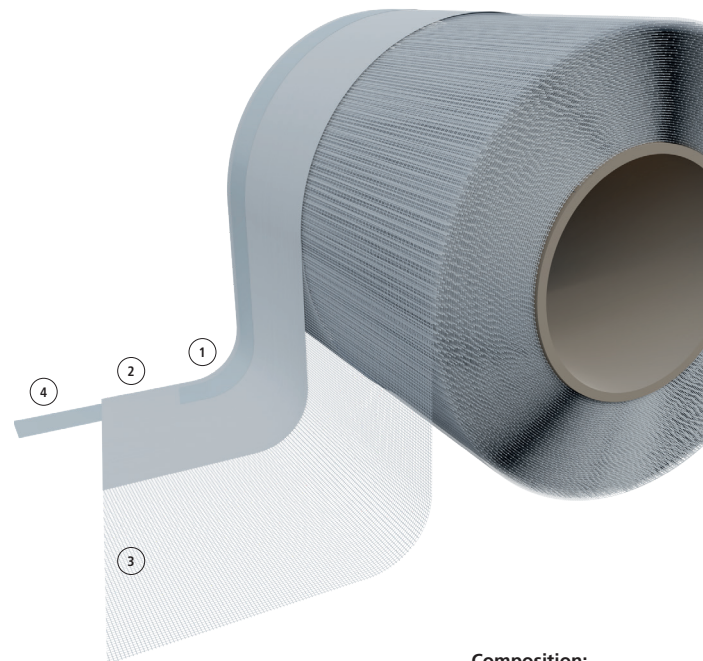
Perfectly sealed window and door next to a heat insulation system

- Variable hygrometric window tape with mesh
- Indoor and outdoor use, regulates the passage of vapour
- With fibre-glass for over plastering
- Double-sided adhesive strip

22

R3

Features:



Composition:

- Acrylic glue with silicone liner ①
- Multilayer non-woven PET.PVC ②
- Fiberglass mesh ③
- Acrylic glue with silicone liner ④

Technical data sheet

Glue		acrylic
Glue carrier material		PET.PVC
Fiberglass mesh for plastering		100 mm
Sd value	EN ISO 12572	0,03 - 15 m
Permeability coefficient (joints)	EN 1026	$a \sim 0 \text{ m}^3/[\text{h m (daPa)}^0]$
Tightness against driving rain (joints)	EN 1027	$\geq 1050 \text{ Pa}$
Emissions	EMICODE®	very low
Working temperature		+5°C / +45°C
Temperature resistance		-40°C / +80°C
Fire reaction class	EN 13501-1	E
UV stability		6 months
Storage place		dry, protected from UV rays, +1°C / +20°C
Storage period		max. 12 months

Codes and measures

Version	Code	Measures (mmxm)	Box (pc)	Pallet (box)
FDB Vario NET	02045775	75x30	4	24