

Tape UV

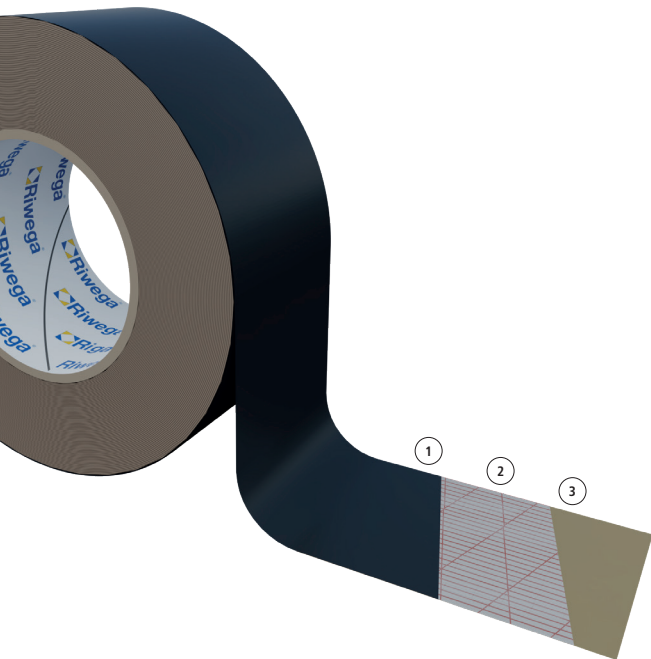
05

R3

QUICK OVERVIEW: STRENGTHS

Specially designed to withstand UV rays

- Single-sided acrylic tape
- Unsurpassed UV and ageing resistance
- Ideal sealing in ventilated facades with open joints
- Next-generation acrylic glue, high adhesion, solvent-free
- The particular rigidity reduces excessive deflections



Composition:

- 1 UV stabilized PP
- 2 Acrylic glue with polyester reinforcing
- 3 Silicone liner**

Codes and measures

Version	Code	Measures (mmxm)	Box (pc)	Pallet (box)
Tape UV 60	02040183	60x25	10	80
Tape UV 80	02040181	80x25	6	80
Tape UV 300 X	020103533	300x25	2	60

Features:



Classification:



Technical data sheet

Glue		polyacrylate-based disp.
Glue carrier material		PP film
Reinforcing mesh		YES
Protection liner		YES
Solvents and emollients		NO
Thickness	DIN EN 1942	0,30 - 0,32 mm
Sd value		~16 m
Tear resistance with elasticity	DIN EN 14410	≥60 N/25 mm; 450 %
Bond strength	DIN 4108-11	compliant
Resistance to condensation		very high
Resistance to aging		very high
Initial adhesion (Tack)		very high
Working temperature		+5°C / +30°C
Temperature resistance		-30°C / +100°C
UV stability		24 months*
Storage place		dry, protected from UV rays, +18°C / +25°C
Storage period		max. 24 months

*with reference to the Central European climate

**pre-cutted silicone liner in Tape UV 300 X variant (150+150 mm)

Riwega Srl is not responsible for negligent and improper use of its products